

FRONTGATE®

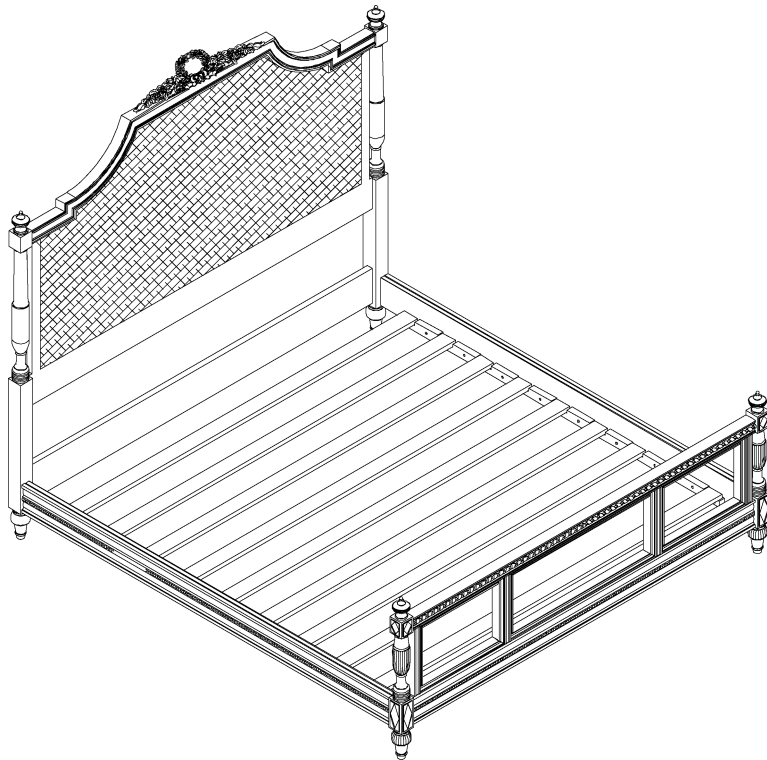
Assembly Instructions

Beauvier French Cane Bed King/Queen

Thank you for purchasing this quality product. Be sure to check all packing materials carefully for small parts that may have come loose inside the carton during shipment.

Identify and count all parts and compare with the Parts List below

***Caution: Please read all instructions carefully before starting the assembly process. These items can be cumbersome and heavy for some people. Therefore, the assistance of one or more people is recommended in order to prevent personal injury and ensure the items are not damaged during assembly process.

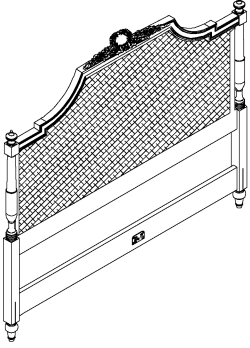
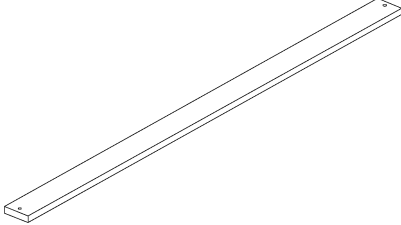
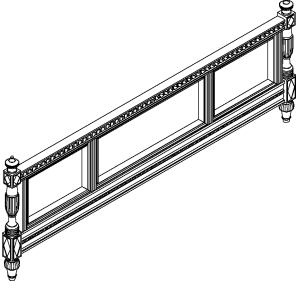
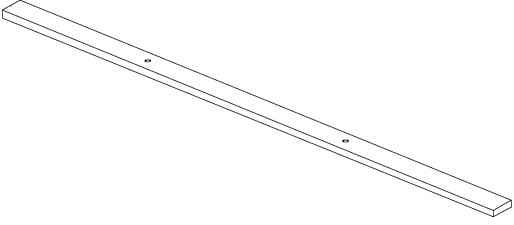
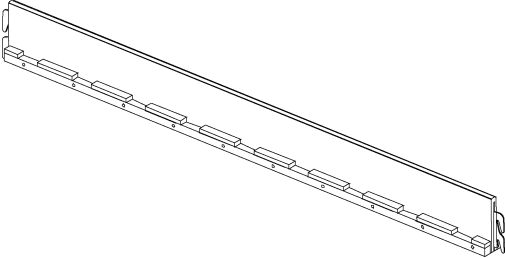





FRONTGATE®

Assembly Instructions

Beauvier French Cane Bed King/Queen

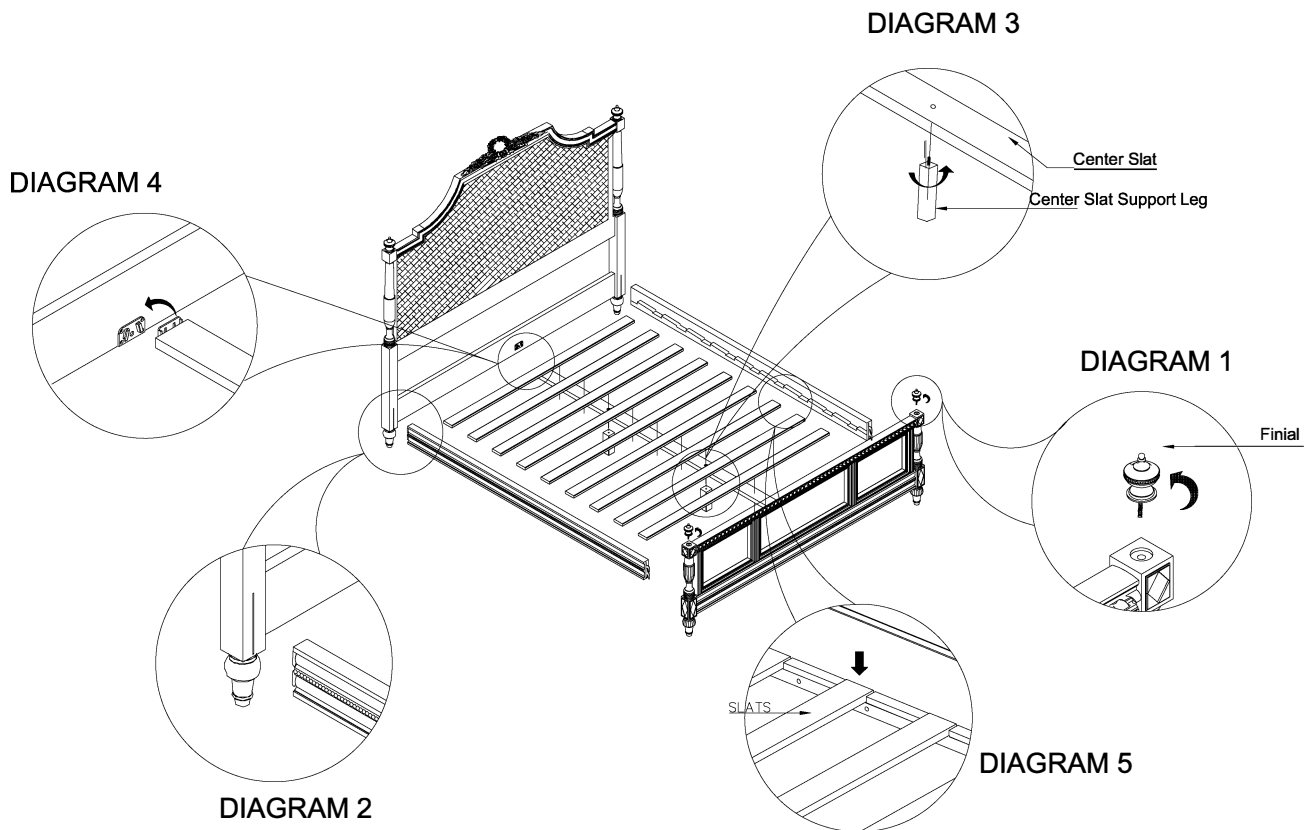
Part List

	
<p>Headboard 1 pc</p>	<p>Slats 9 pcs</p>
	
<p>Footboard 1 pc</p>	<p>Center Slats 1 pc</p>
	
<p>Siderail 2 pcs</p>	<p>Center Slats Support Leg 2 pcs</p>
	
<p>HeadBoard Finial 2 pcs</p>	<p>FootBoard Finial 2 pcs</p>

FRONTGATE®

Assembly Instructions

Beauvier French Cane Bed King/Queen



1. Attach the Finial to the Headboard and Footboard See Diagram 1.
2. Attach the Side Rail to the Headboard and Footboard. See Diagram 2.
3. Attach the Center Slat Support Leg to the Center Slat. See Diagram 3.
4. Attach the Center Slat to the Headboard and Footboard See Diagram 4.
5. Attach the Slats to the Siderail. See Diagram 5

The bed should not be moved after it has been assembled without first disassembling the bed rails. Excessive movement while the bed rails are locked into place may damage bed parts.

Please contact one of our Product Specialist for assembly assistance or questions at 1-800-537-8484 or email@frontgate.com. Specialists are available weekdays 8:00 a.m. to 8:00 p.m EST or Saturday 9:30 a.m. to 6:00 p.m

Thank you for your purchase