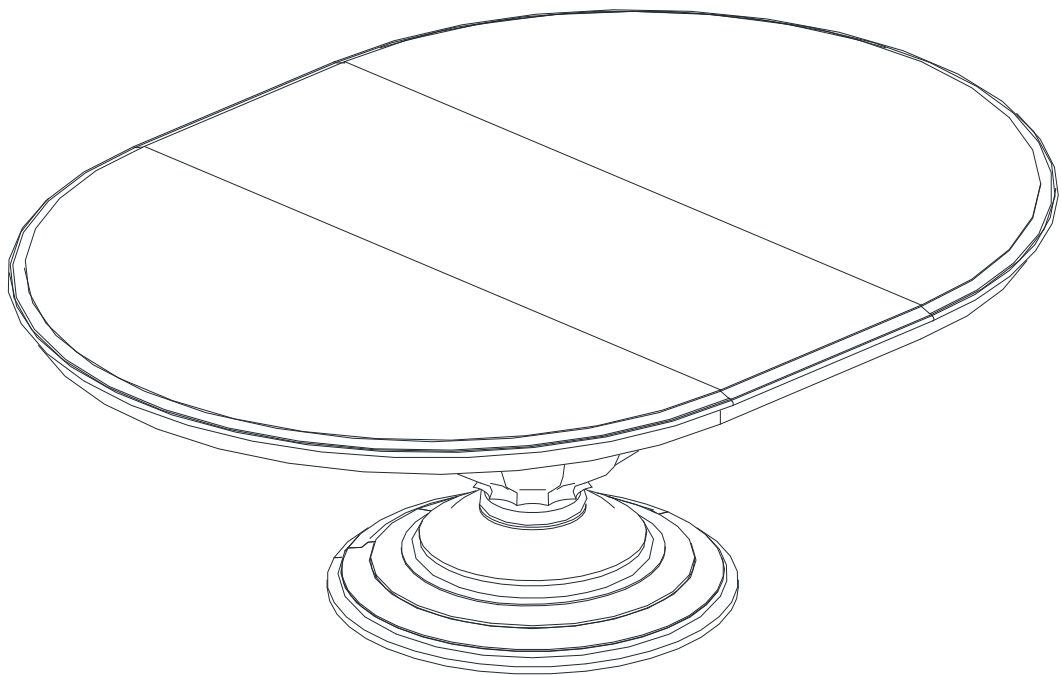


FRONTGATE

BORDEAUX DINING TABLE



FRONTGATE

BORDEAUX DINING TABLE

PART LIST BOX 1:

HARDWARE ENCLOSED :

Part #	Description	QTY	Part #	Description	QTY
A.	Top	1 pc	C.	Pedestal	1 pc
B.	Extension Leaf	1 pc			

Part #	Description	QTY
D.	Wooden Dowels	2 Pcs
E,F,G.		4 Set

NUMBER OF PEOPLE TO INSTALL :ASSEMBLY TIME

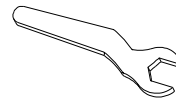
RECOMMENDED 3 PEOPLE OR MORE

UNDER 20 MINUTES

PRE ASSEMBLY INSTRUCTIONS :

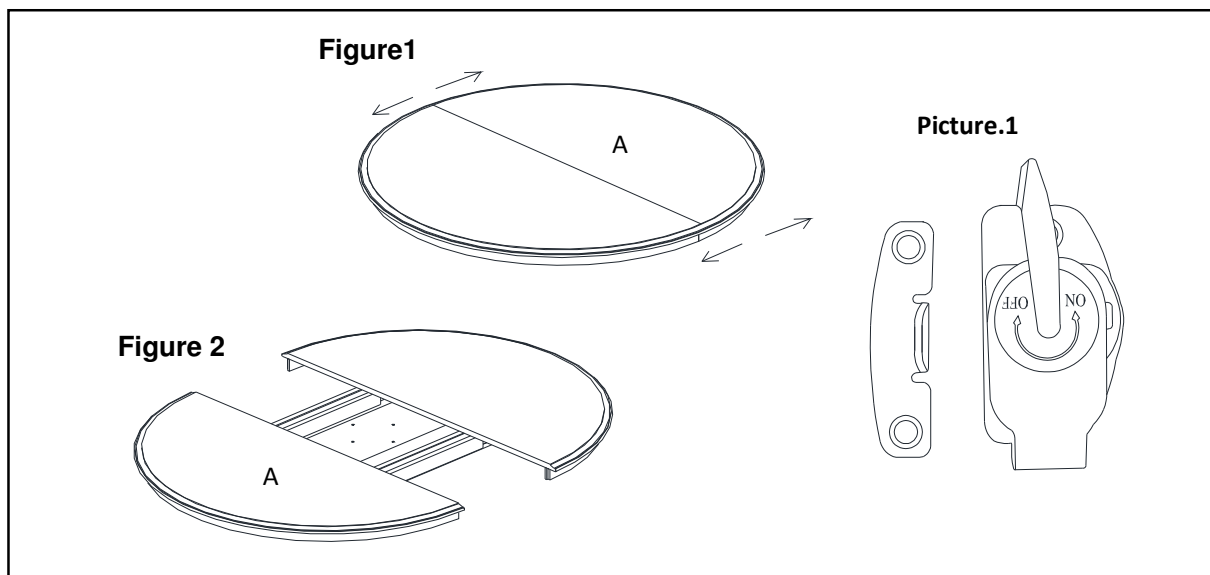
1. Do not throw away packaging materials until the assembly is complete. Parts might be accidentally thrown away.

ASSEMBLY INSTRUCTION: TOOL REQUIRED (INCLUDED):



STEP 1 :

1. Open the table top (A) by unlocking the leaf-lock and pulling the table top open as shown figure 1, in picture 1.

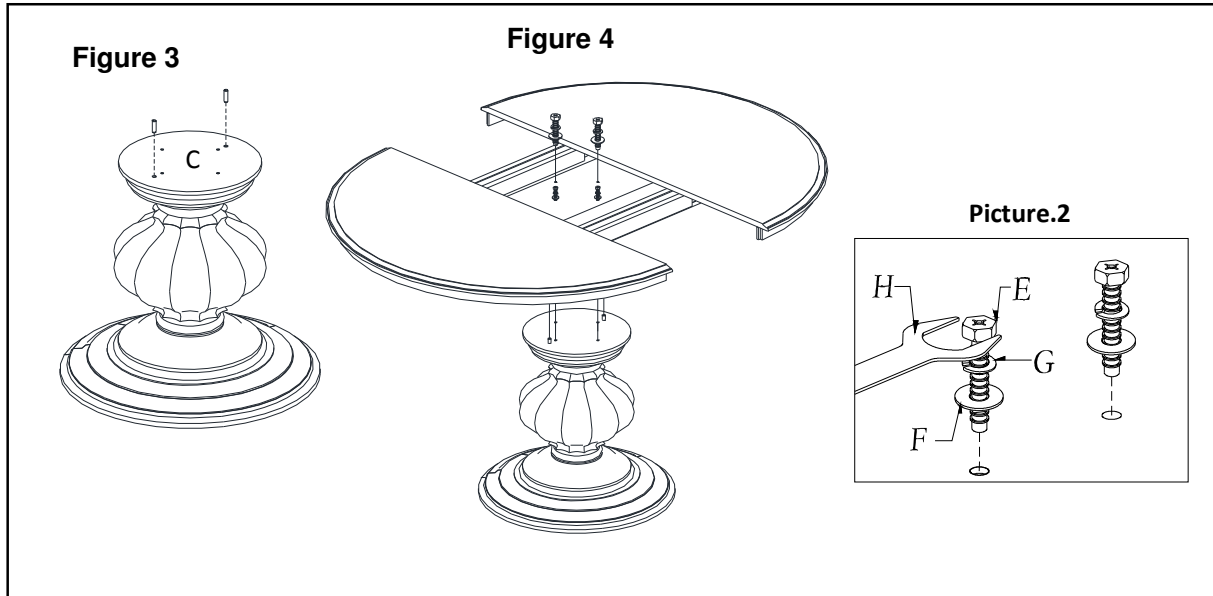


STEP 2 :

FRONTGATE

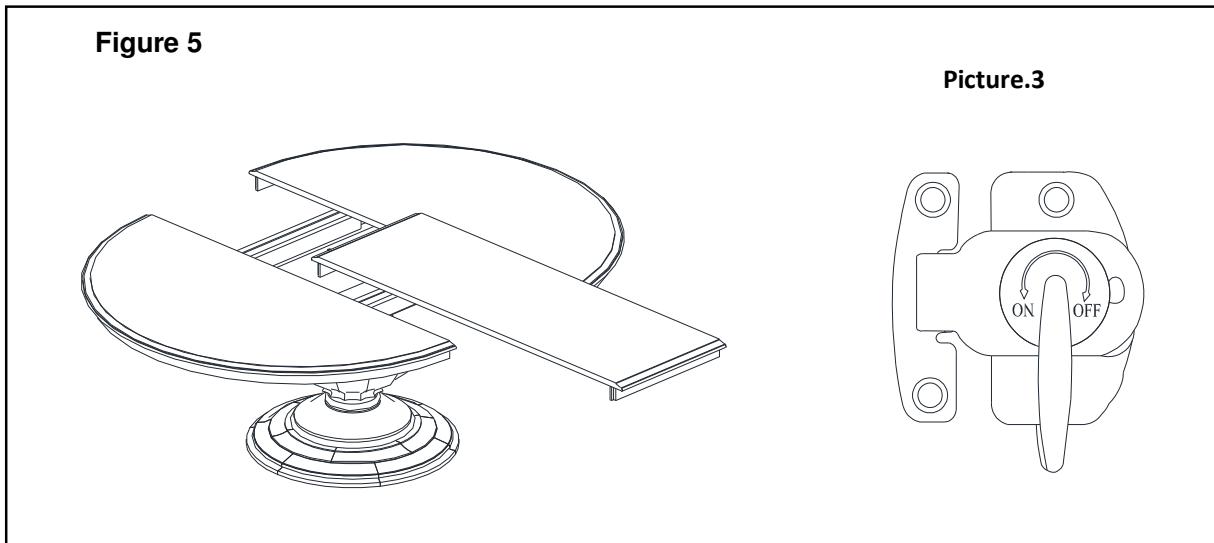
BORDEAUX DINING TABLE

2. Insert wooden dowels (D) into the holes on the pedestal (C). Place the table top (A) to the pedestal (C), place spring washers (G), followed by flat washers (F) onto the hexagonal bolts (E), then insert the hexagonal bolts (E,F&G) through the holes of the bridge(A) into the insert nut in the pedestal (C). Tighten with wrench (H) as shown in fig 4, picture 2.



STEP 3 :

- 3a. If extension leaf is going to be used, please ensure to unlock the leaf-lock before opening the table top. Grip both table ends and pull to open.
- 3b. Insert extension leaf (B) into position, make sure the leaf pins match with the corresponding holes.
- 3c. Slide/close both ends simultaneously until leaves are securely in place. Lock the leaf-lock.



FRONTGATE

BORDEAUX DINING TABLE

CARE & MAINTENANCE : Use mild detergent and water to clean. Always use a soft cloth to wipe down and clean your table. Do not use any abrasive or acidic cleaners as this may mar or damage the finish. For additional care and cleaning instructions, contact our Product Specialist teams at 1-800-537-8484.

Please contact one of Our Product Specialists for assembly assistance or questions at 1-800-537-8484 or email ps@frontgate.com. Specialists are available weekdays 8:00 a.m. to 8:00 p.m. EST or Saturday 9:30 a.m. to 6:00 p.m.