

FRONTGATE®

OUTFITTING AMERICA'S FINEST HOMES™

Easy Shade Umbrella 10' x 13' Rectangle
Item #43279

Easy Shade Umbrella 11' Square
Item #43280

Easy Shade Umbrella 11' Round
Item #43281



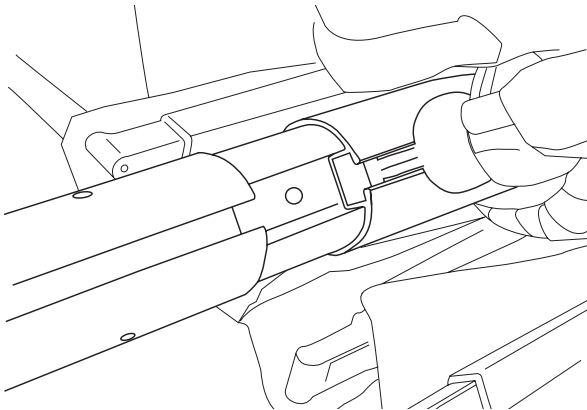
ASSEMBLY AND OPERATION

Thank you for your purchase of **Frontgate's Easy Shade Umbrella**. Please remove all contents from the package and inspect all parts. **CAUTION:** To reduce personal injury and damage to your beach umbrella, read and follow this Assembly and Operation information.

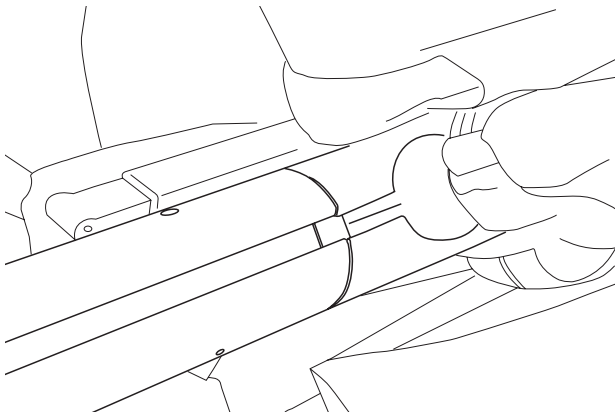
A S S E M B L Y :

To ASSEMBLY the Easy Shade Umbrella:

1. Insert the bottom pole (Fig. 1) into umbrella frame. Align groves as shown and slide into frame completely (Fig. 2)

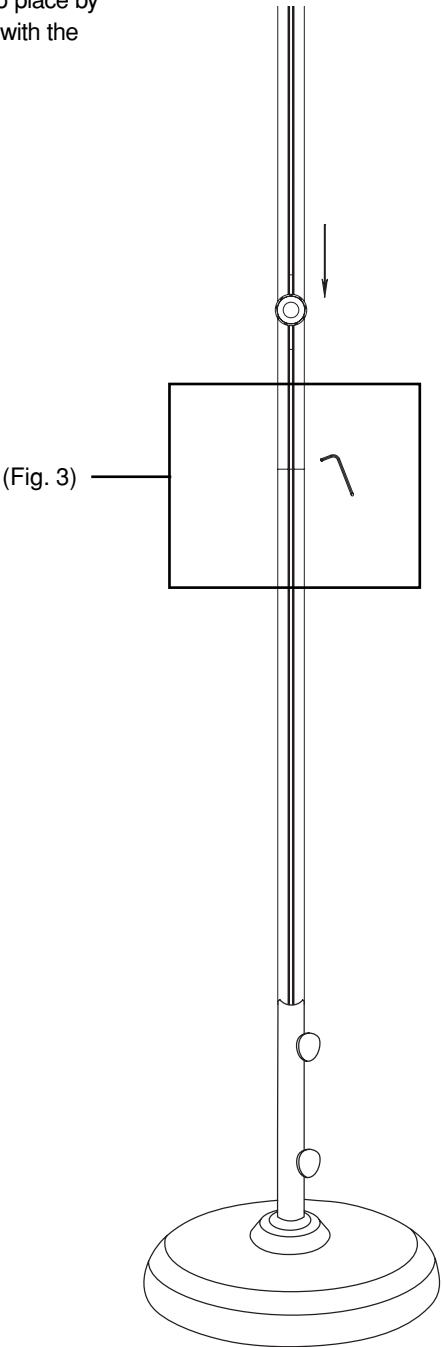


(Fig. 1)





(Fig. 2)

- 2. Using two-person team lift, place the umbrella into the dining table or base.
- 3. Secure bottom pole with frame into place by tightening hex screw (in the track) with the hexagon wrench provided (Fig. 3).

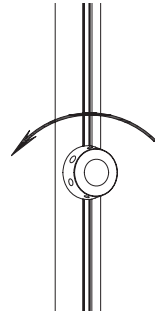


OPERATION :

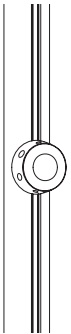
To OPEN the Easy Shade Umbrella (Canopy):

1. Turn the round knob in a counter-clockwise  motion to release the lock (Fig. 4).
2. Guide the round knob downward until it stops to fully open the canopy (Fig. 5).
3. Turn the round knob in a clockwise  motion to lock the opened position (Fig. 6). (For locking, 90 degree rotation is sufficient - do not exceed 360 degrees)

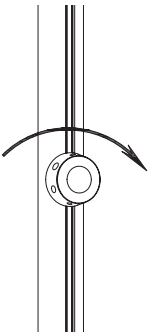
NOTE: This heavy-duty automatic umbrella features an easy-to-use telescoping track system to open and close the canopy with a simple one-finger effort.



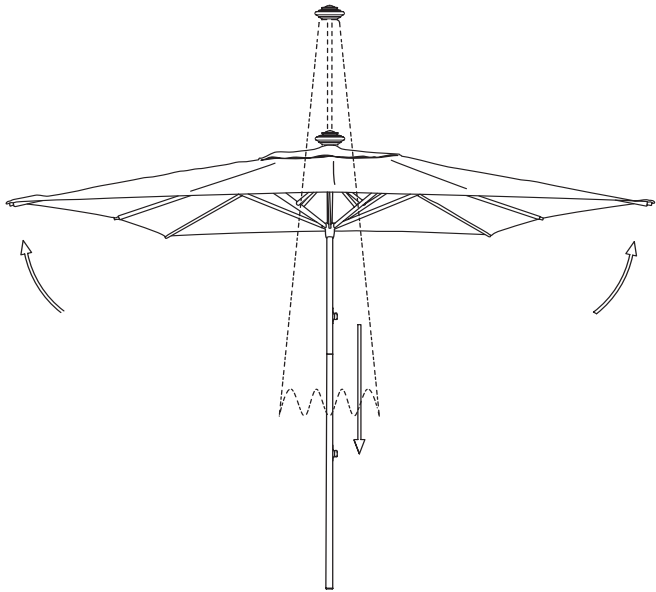
(Fig. 4)



(Fig. 5)

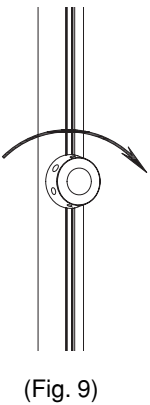
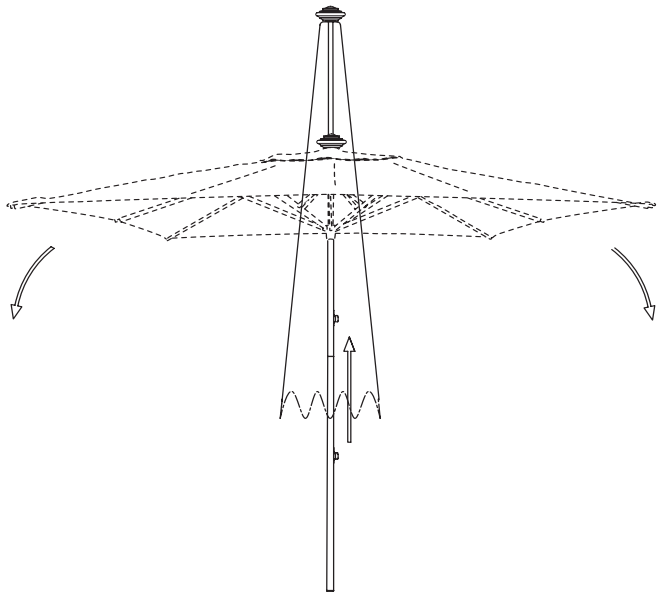
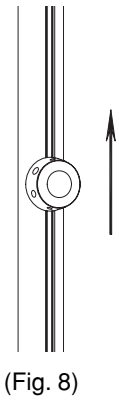
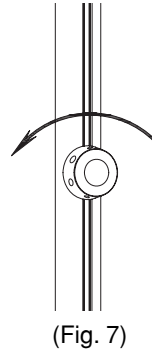


(Fig. 6)



To CLOSE Easy Shade Umbrella:

1. Turn the round knob in a counter-clockwise motion to release the lock (Fig. 7).
2. Guide the round knob upward until it stops to close the canopy (Fig. 8).
3. Turn the round knob in a clockwise motion to lock the closed position (Fig. 9).



SAFETY PRECAUTIONS:

- This umbrella can only be used for shade.
- Close the umbrella in windy conditions or when a storm approaches.
Never allow the umbrella to flap in the wind; this could damage the canopy.
- Do not leave open umbrella unattended. If damage occurs, this is not covered by the warranty.
- When adjusting the umbrella, make sure that no person(s) or item(s) are close to the umbrella. This is important to prevent injury or material damage.

CARE AND MAINTENANCE:

- When not in use, close and store umbrella.
- If necessary, clean the fabric with lukewarm water, mild detergent, and a sponge.

Please contact one of our Product Specialists for assembly assistance or questions at 1-800-537-8484 or email ps@frontgate.com. Specialists are available weekdays 8:00 a.m. to 8:00 p.m. EST or Saturday 9:30 a.m. to 6:00 p.m.

FRONTGATE®
OUTFITTING AMERICA'S FINEST HOMES®