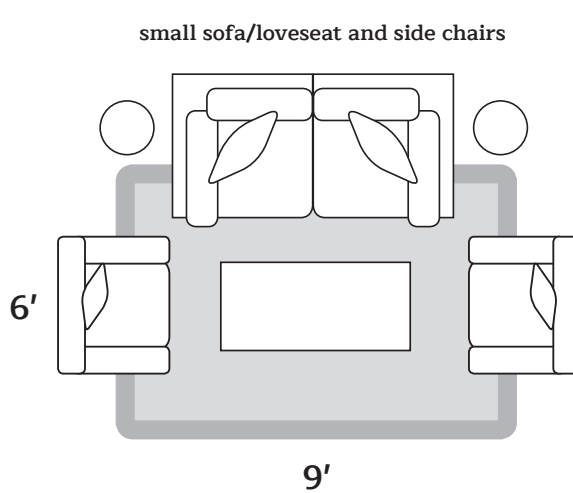
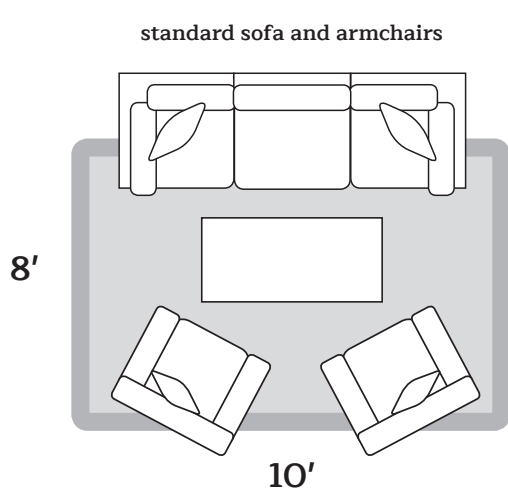
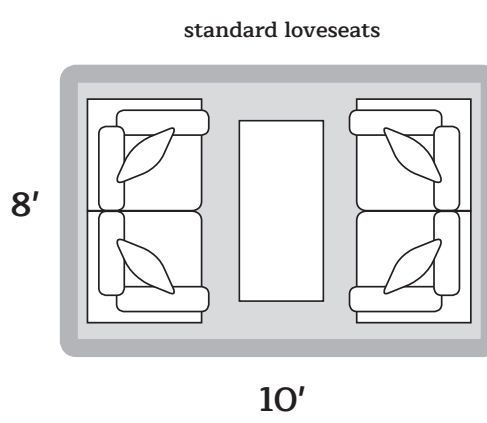
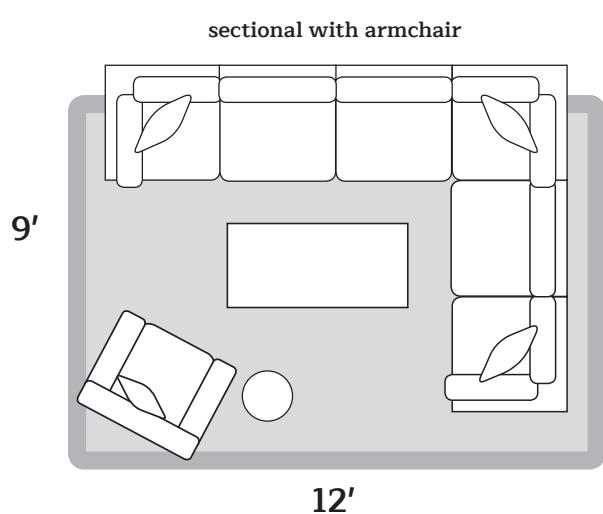


# OUTDOOR RUG SIZE GUIDE\*

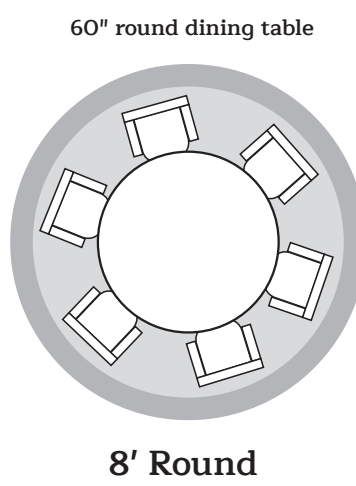
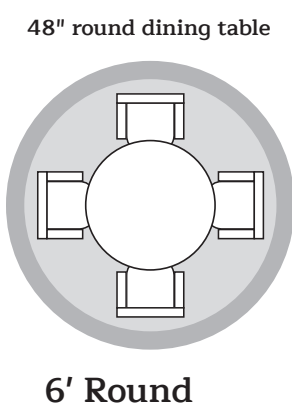
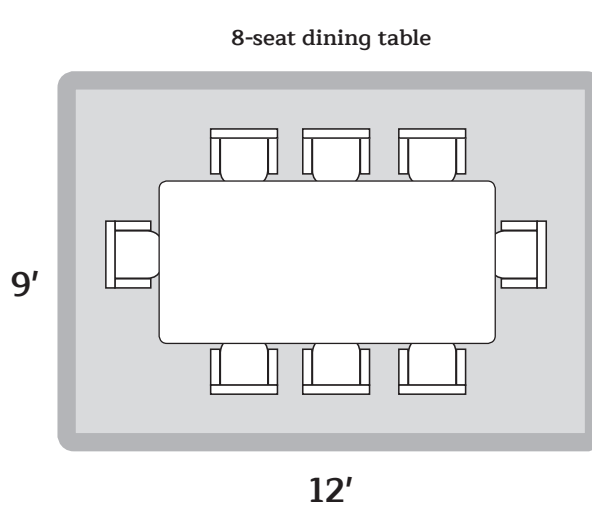
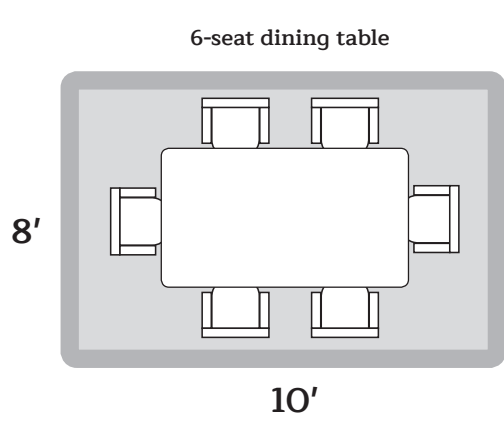
## SEATING AREA

Float furniture on the middle of the rug in larger spaces.  
Position front feet just on the edge for smaller areas.



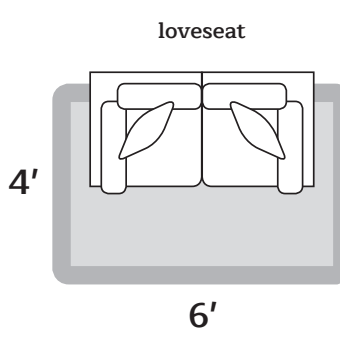
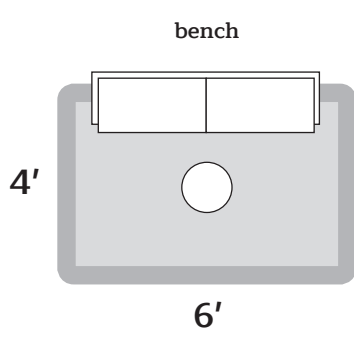
## DINING AREA

Choose a rug that extends about 24" from all edges of the table.  
Allow approximately 12" of floor to show away from any walls.



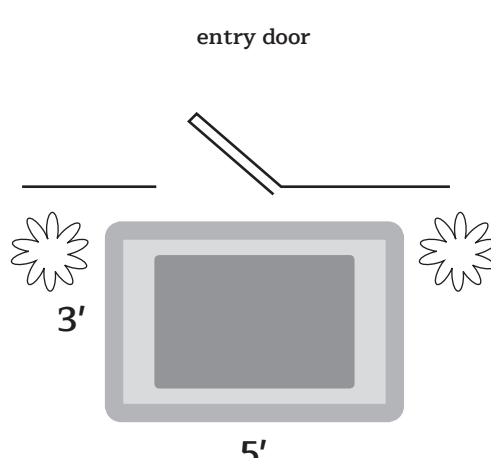
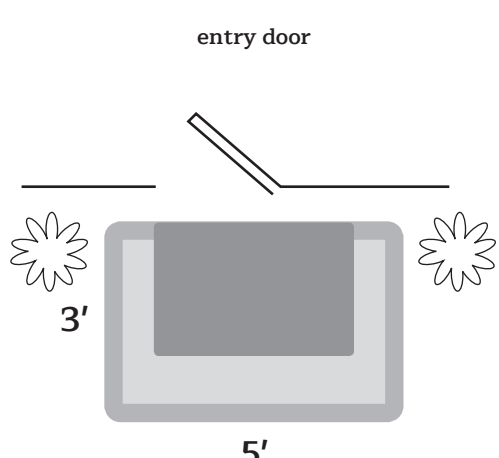
## SMALL SPACES

Let the available area be your guide. Leave about 12" of floor exposed between rug and any fixtures, walls or adjoining spaces.



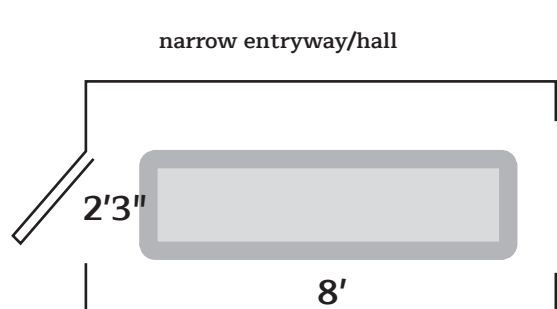
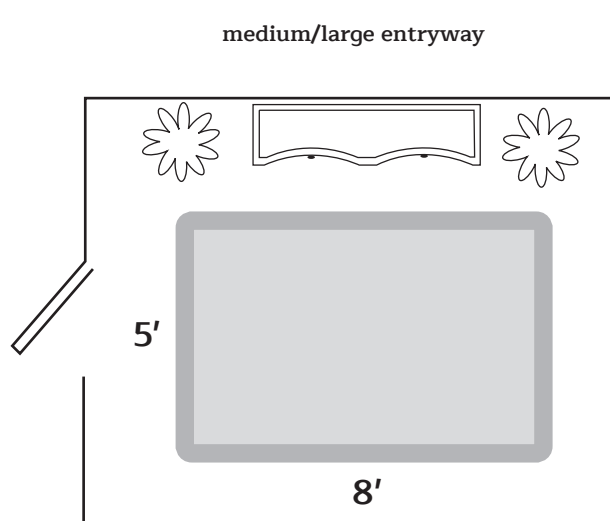
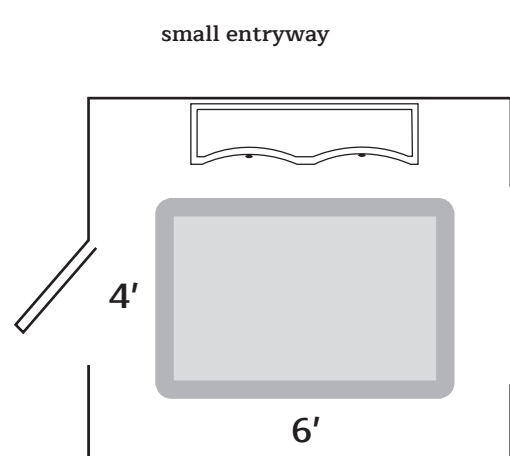
## MAT LAYERING

Place a 24" x 36" door mat over a 3' x 5' rug. Align at either the top or middle of the underlying rug.



## INDOOR ENTRY/HALL

Yes. Most of our outdoor rugs can also be used indoors. Challenging space?  
Just outline the chosen area in painter's tape and select the nearest rug size.



**grandinroad.**

\*Approximate proportions. Final rug size determined by area and furniture dimensions.